

SECTION INDEX



OMAHA, NEBRASKA
(402) 453-9595
1-800-442-6009
FAX (402) 453-1740

Pump Adapters	97
Pump Couplers	97
Snap Hitch Pump Adapters.....	97
Splined Adapter Sleeve	97
Standard Length Splined Shafts	98



**CATALOG
2011**

**UPC Bar Coding available on stock items
Upon customer request.**

SPLINED ADAPTERS



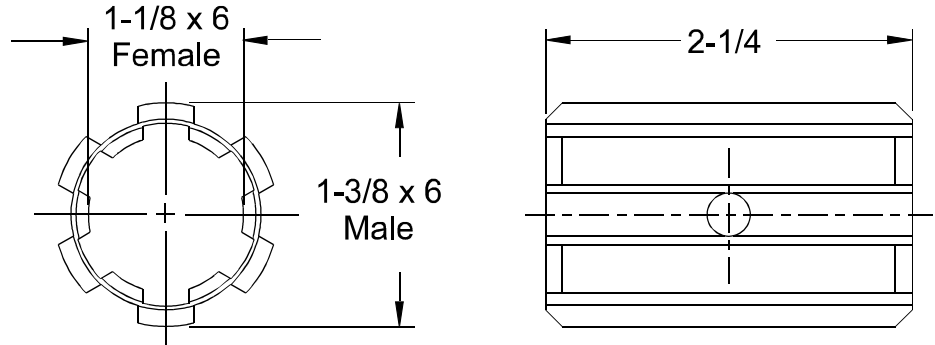
OMAHA, NEBRASKA
 (402) 453-9595
 1-800-442-6009
 FAX (402) 453-1740

Adapters

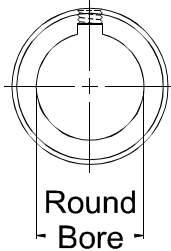
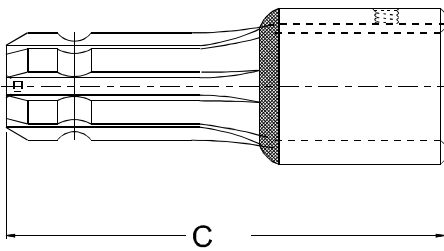
Provisions must be made by the user to shield any exposed driveline components. Shorten implement driveline or extend hitch point to accommodate the application of these devices.

SPLINED ADAPTERS SLEEVE

Stock No. 11651822
Enlarges 1-1/8 to 1-3/8
Wt. .25 Lbs.
Recommended HP = 29

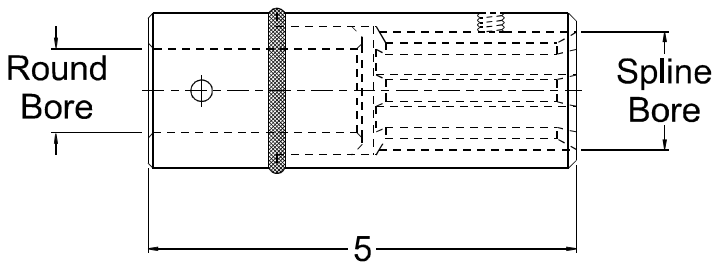


PUMP ADAPTERS



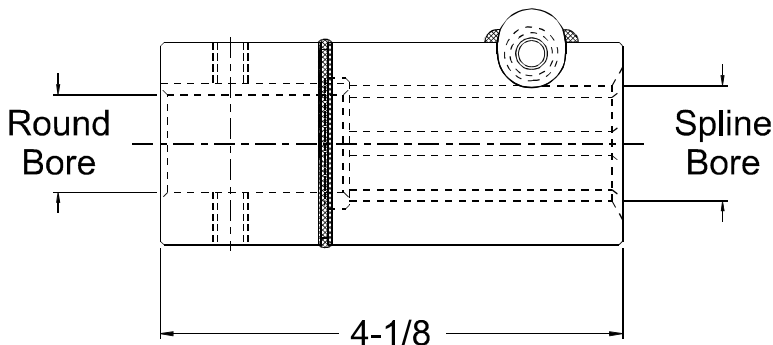
Stock No.	Spline Size	Round Bore	Keyway Size	Wt. Lbs.	C
113-1600	1-3/8 x 6	1	1/4	2.69	5-3/4
113-1800	1-3/8 x 6	1-1/8	1/4	2.69	5-7/8
113-2000	1-3/8 x 6	1-1/4	1/4 5/16	2.44	5-7/8
113-2200	1-3/8 x 6	1-3/8	5/16	2.88	5-3/4
113-2400	1-3/8 x 6	1-1/2	3/8	2.75	5-7/8

PUMP COUPLERS



Stock No.	Spline Bore	Round Bore	Keyway Size	Wt. Lbs.
10180616	1-1/8 x 6	1	1/4	2.94
10220614	1-3/8 x 6	7/8	3/16	2.83
10220615	1-3/8 x 6	15/16	1/4	2.70
10220616	1-3/8 x 6	1	1/4	2.60
10222116	1-3/8 x 21	1	1/4	2.63
10220618	1-3/8 x 6	1-1/8	1/4	2.75

SNAP HITCH PUMP ADAPTERS



Stock No.	Spline Bore*	Round Bore	Keyway Size	Wt. Lbs.
114-1000	1-3/8x6	5/8	3/16	2.13
114-1200	1-3/8x6	3/4	3/16	2.07
114-1400	1-3/8x6	7/8	3/16&1/4	2.00
114-1500	1-3/8x6	15/16	1/4	1.94
114-1600	1-3/8x6	1	1/4	2.00
115-1000	1-3/8x21	5/8	3/16	2.13
115-1200	1-3/8x21	3/4	3/16	2.07
115-1400	1-3/8x21	7/8	3/16&1/4	2.00
115-1500	1-3/8x21	15/16	1/4	1.94
115-1600	1-3/8x21	1	1/4	2.00



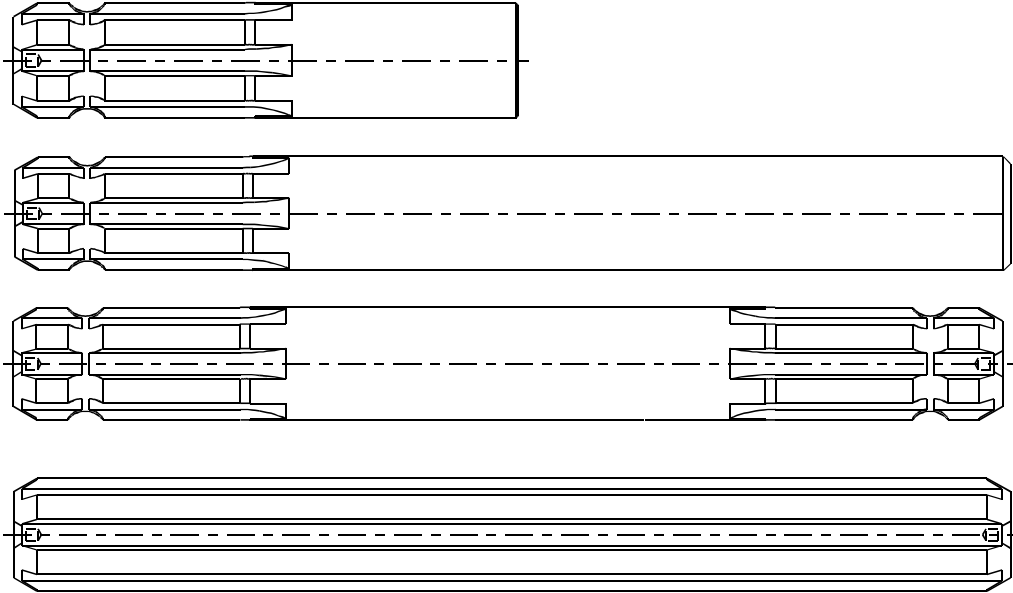
OMAHA, NEBRASKA
 (402) 453-9595
 1-800-442-6009
 FAX (402) 453-1740

ADAPTERS

Provisions must be made by the user to shield exposed driveline components. Shorten implement driveline or extend hitch point to accommodate splined shaft.

Adapters

STANDARD LENGTH SPLINED SHAFTS



Standard Length Splined Shafts are made from Mild Steel, ideal for many repair jobs and building special machinery. Additional materials available by request including 1045, 1144 & 4140 priced by quotation.

Stock No.	Spline Size	Length in Inches	Wt. Lbs.	Stock No.	Spline Size	Length in Inches	Wt. Lbs.	Stock No.	Spline Size	Length Feet	Wt. Lbs.
Splined One End Only				Splined Both Ends				Fully Splined			
106A1206	3/4 x 6	6	.74	112B1206	3/4 x 6	12	1.47	105F1615	1 x 15	5	11.40
106A1413	7/8 x 13	6	1.02	112B1413	7/8 x 13	12	1.94	110F1615	1 x 15	10	22.80
106A1615	1 x 15	6	1.34	112B1615	1 x 15	12	2.67	105F2206	1-3/8 x 6	5	20.75
106A1806	1-1/8 x 6	6	1.50	112B2206	1-3/8 x 6	12	4.56	110F2206	1-3/8 x 6	10	41.50
106A2014	1-1/4 x 14	6	2.00	112B2221	1-3/8 x 21	12	4.75	105F2221	1-3/8 x 21	5	22.40
106A2206	1-3/8 x 6	6	2.25	112B2820	1-3/4 x 20	12	8.18	110F2221	1-3/8 x 21	10	44.80
106A2221	1-3/8 x 21	6	2.50	Fully Splined				105F2820	1-3/4 x 20	5	36.40
106A2820	1-3/4 x 20	6	4.10	112F1206	3/4 x 6	12	1.46	110F2820	1-3/4 x 20	10	72.80
112A1206	3/4 x 6	12	1.10	112F1615	1 x 15	12	2.28	Induction Hardened For Driveline Applications			
112A1413	7/8 x 13	12	2.04	112F2206	1-3/8 x 6	12	4.15	103F2120	1-5/16 x 20	3	
112A1615	1 x 15	12	2.67	112F2221	1-3/8 x 21	12	4.35	103F2720	1-11/16 x 20	3	
112A1806	1-1/8 x 6	12	3.19	112F2820	1-3/4 x 20	12	7.28				
112A2206	1-3/8 x 6	12	4.75								
112A2221	1-3/8 x 21	12	4.75								
112A2820	1-3/4 x 20	12	8.18								