

SECTION INDEX



OMAHA, NEBRASKA
(402) 453-9595
1-800-442-6009
FAX (402) 453-1740

Double Hubs	32
Double Pulley Hubs.....	32
Double Hub, Idler Hub & OEM Hub Dimensions	34
Idler Hubs.....	32
Lock Hubs	33
OEM Weld On Hubs.....	33
WELDAHUB® USA and NOVA Import.....	31-32
Coupler Hubs.....	32
Hexagon Bore.....	31
Round Bore.....	31
Spline Bore	32
Square Bore.....	31
Stock Bore	31
WELDAHUB® Dimensions	34

Sprockets



**CATALOG
2011**

**UPC Bar Coding is available on stock items
Upon customer request.**

WELDAHUBS®



Round Bore Domestic WELDAHUBS® are furnished with standard keyways and (1) set screw.
 Round Bore Import Hubs are furnished with standard keyways and (2) set screws.
 Use with G&G WELDASPROCKETS® or WELDAPULLEYS®. ORDER BY STOCK NUMBER.

OMAHA, NEBRASKA
 (402) 453-9595
 1-800-442-6009
 FAX (402) 453-1740

ROUND BORE					
USA Stock No.	NOVA Import Stock No.	Hub Series	Bore Size	Std. KW	Wt. Lbs.
00010008	000100085	V	1/2	1/8	.38
	000100095	V	9/16	1/8	.38
00010010	000100105	V	5/8	3/16	.38
	000100115	V	11/16	3/16	.32
00010012	000100125	V	3/4	3/16	.32
	000100135	V	13/16	3/16	.32
00010014	000100145	V	7/8	3/16	.25
00020008	000200085	W	1/2	1/8	.88
	000200095	W	9/16	1/8	.88
00020010	000200105	W	5/8	3/16	.83
	000200115	W	11/16	3/16	.83
00020012	000200125	W	3/4	3/16	.83
	000200135	W	13/16	3/16	.75
00020014	000200145	W	7/8	3/16	.75
00020015	000200155	W	15/16	1/4	.69
00020016	000200165	W	1	1/4	.63
00020017	000200175	W	1-1/16	1/4	.63
00020018	000200185	W	1-1/8	1/4	.57
00020019	000200195	W	1-3/16	1/4	.50
00020020	000200205	W	1-1/4	1/4	.44
00030010	000300105	X	5/8	3/16	1.63
	000300115	X	11/16	3/16	1.63
00030012	000300125	X	3/4	3/16	1.56
	000300135	X	13/16	3/16	1.56
00030014	000300145	X	7/8	3/16	1.50
	000300155	X	15/16	1/4	1.38
00030016	000300165	X	1	1/4	1.38
00030017	000300175	X	1-1/16	1/4	1.38
00030018	000300185	X	1-1/8	1/4	1.38
00030019	000300195	X	1-3/16	1/4	1.25
00030020	000300205	X	1-1/4	1/4	1.25
00030520		X	1-1/4	5/16	1.24
	000300215	X	1-5/16	5/16	1.19
00030022	000300225	X	1-3/8	5/16	1.13
00030023	000300235	X	1-7/16	3/8	1.13
00030024	000300245	X	1-1/2	3/8	1.06
00040016	000400165	XX	1	1/4	2.13
00040018		XX	1-1/8	1/4	2.06
00040020	000400205	XX	1-1/4	1/4	1.94
00040022	000400225	XX	1-3/8	5/16	1.83
00040023		XX	1-7/16	3/8	1.75
00040024	000400245	XX	1-1/2	3/8	1.75
00040026	000400265	XX	1-5/8	3/8	1.56

ROUND BORE					
USA Stock No.	NOVA Import Stock No.	Hub Series	Bore Size	Std. KW	Wt. Lbs.
00050016		Y	1	1/4	4.50
	000500185	Y	1-1/8	1/4	4.38
00050020		Y	1-1/4	1/4	4.19
	000500225	Y	1-3/8	5/16	4.06
	000500235	Y	1-7/16	3/8	4.00
00050024	000500245	Y	1-1/2	3/8	3.94
00050026		Y	1-5/8	3/8	3.69
	000500275	Y	1-11/16	3/8	3.63
00050028	000500285	Y	1-3/4	3/8	3.56
	000500305	Y	1-7/8	1/2	3.38
00050031	000500315	Y	1-15/16	1/2	3.25
00050032	000500325	Y	2	1/2	3.13

STOCK BORE				
USA Stock No.	NOVA Import Stock No.	Hub Series	Bore Size	Wt. Lbs.
00020000	000200005	W	1/2	.94
00030000	000300005	X	19/32	1.63

HEXAGON BORE				
Domestic Stock No.	Import Stock No.	Hub Series	Bore Size	Wt. Lbs.
	000260095	W	9/16	.88
	000260105	W	5/8	.83
	000260125	W	3/4	.83
00026014	000260145	W	7/8	.69
00026016	000260165	W	1	.50
00026018	000260185	W	1-1/8	.50
00026020	000260205	W	1-1/4	.50
	000360095	X	9/16	1.70
00036010	000360105	X	5/8	1.63
00036012	000360125	X	3/4	1.56
00036014	000360145	X	7/8	1.50
00036016	000360165	X	1	1.32
00036018	000360185	X	1-1/8	1.32
00036020	000360205	X	1-1/4	1.25

SQUARE BORE				
USA Stock No.	NOVA Import Stock No.	Hub Series	Bore Size	Wt. Lbs.
0002S010		W	5/8	.77
0002S012	0002S0125	W	3/4	.75
0002S016	0002S0165	W	1	.56
0003S012		X	3/4	1.50
0003S014		X	7/8	1.44
0003S016	0003S0165	X	1	1.32
0003S018	0003S0185	X	1-1/8	1.19
0003S020	0003S0205	X	1-1/4	1.06

SEE PAGES 32, 33 & 34 FOR OTHER HUBS AND DIMENSIONS.



WELDAHUBS®

OMAHA, NEBRASKA
 (402) 453-9595
 1-800-442-6009
 FAX (402) 453-1740

Round Bore Domestic WELDAHUBS® are furnished with standard keyways and (1) set screw.
 Round Bore Import Hubs are furnished with standard keyways and (2) set screws.
 Use with G&G WELDASPROCKETS® or WELDAPULLEYS®. ORDER BY STOCK NUMBER.

SPLINE BORE				
USA Stock No.	NOVA Import Stock No.	Hub Series	Bore Size	Wt. Lbs.
00021413		W	7/8x13SP	.75
00021606		W	1x6SP	.69
00021615		W	1x15SP	.69
00021806	000218065	W	1-1/8x6SP	.63
00022006	000220065	W	1-1/4x6SP	.58
00022014	000220145	W	1-1/4x14SP	.56
00022206	000222065	W	1-3/8x6SP	.44
00022221	000222215	W	1-3/8x21SP	.44
00031413		X	7/8x13SP	1.56
00031606	000316065	X	1x6SP	1.38
00031806		X	1-1/8x6SP	1.38
00032006		X	1-1/4x6SP	1.34
00032014	000320145	X	1-1/4x14SP	1.32
00032206	000322065	X	1-3/8x6SP	1.25
00032221	000322215	X	1-3/8x21SP	1.19
00032806		X	1-3/4x6SP	.90
00042820		XX	1-3/4x20SP	1.63

DOUBLE HUBS				
USA Stock No.	Spkt. Series	Bore Size	Std. KW	Wt. Lbs.
000X5016	50	1	1/4	1.32
000X5020	50	1-1/4	1/4	1.06
000X6016	60	1	1/4	1.56
000X6020	60	1-1/4	1/4	1.25

IDLER HUBS			
USA Stock No.	Hub Series	Bore Size	Wt. Lbs.
00023010	W	5/8*	.25
00033010	X	5/8*	.38

*Packaged with 1/2" reducer bushing

Double Pulley Hubs

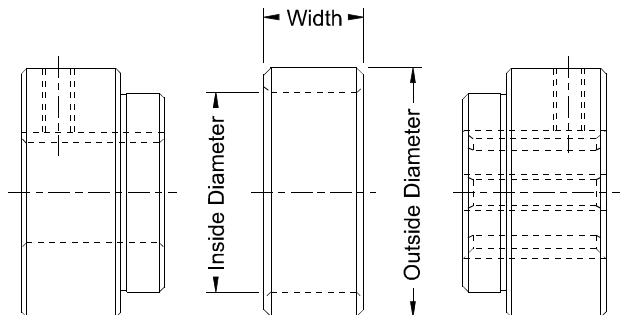
USA Stock No.	Hub Series	Bore Size	Wt. Lbs.
00020214	W	7/8	.92
00020216	W	1	.81
00020218	W	1-1/8	.69
00020220	W	1-1/4	.52

Designed to be used with WELDAPULLEYS® to make double groove pulleys

METRIC BORE				
USA Stock No.	Hub Series	Bore Size	Keyway	Wt. Lbs.
0002015M	W	15MM	5 MM	.84
0002022M	W	22MM	6 MM	.74
0002025M	W	25MM	8 MM	.63
0002030M	W	30MM	8 MM	.50
0003015M	X	15MM	5 MM	1.64
0003022M	X	22MM	5 MM	1.51
0003025M	X	25MM	8 MM	1.39
0003030M	X	30MM	8 MM	1.26

WELDAHUB® Coupler Hubs

USA Stock No.	Fits Hub Series	Outside Dia.	Inside Dia.	Width	Wt. Lbs.
012-3224	Weldajoint Bushings	2	1-1/2	1	.39
012-3226	W	2	1-5/8	1	.32
012-4032	X, XX & Weldajoint Bushings	2-1/2	2	1	.50



SEE PAGE 34 FOR ADDITIONAL HUB DIMENSIONS.

Coupler Hubs are designed to create a coupler to connect two separate shafts. The shafts may be the same or different styles or sizes. Simply choose the WELDAHUB® or WELDAJOINT® Bushing for each shaft needed and assemble with the appropriate Coupler Hub.

We recommend using Low Hydrogen Electrodes to weld all WELDA® parts.

Weldahubs®

OEM WELD ON HUBS



OMAHA, NEBRASKA
(402) 453-9595
1-800-442-6009
FAX (402) 453-1740

Designed for use with G&G WELDASPROCKETS® in applications requiring a specific length through bore. Round bore OEM Weld on Hubs are furnished with standard keyways and two (2) set screws.

SEE PAGE 34 FOR HUB DIMENSIONS.

OEM HUBS				
Stock No.	Hub Series	Bore Size	Std. KW	Wt. Lbs.
008-3508	35	1/2	1/8	.88
008-3510	35	5/8	3/16	.83
008-3512	35	3/4	3/16	.83
008-3514	35	7/8	3/16	.75
008-3516	35	1	1/4	.63
008-3518	35	1-1/8	1/4	.57
008-3519	35	1-3/16	1/4	.50
008-3520	35	1-1/4	1/4	.44
008-4010	5A	5/8	3/16	1.63
008-4012	5A	3/4	3/16	1.56
008-4014	5A	7/8	3/16	1.50
008-4016	5A	1	1/4	1.38
008-4020	5A	1-1/4	1/4	1.25
008-4110	4A	5/8	3/16	1.63
008-4112	4A	3/4	3/16	1.56
008-4114	4A	7/8	3/16	1.50
008-4116	4A	1	1/4	1.38
008-4118	4A	1-1/8	1/4	1.38
008-4119	4A	1-3/16	1/4	1.25
008-4120	4A	1-1/4	1/4	1.25
008-4122	4A	1-3/8	5/16	1.13
008-4123	4A	1-7/16	3/8	1.13
008-4124	4A	1-1/2	3/8	1.06
008-5012	6A	3/4	3/16	1.56
008-5014	6A	7/8	3/16	1.50

OEM HUBS				
Stock No.	Hub Series	Bore Size	Std. KW	Wt. Lbs.
008-5016	6A	1	1/4	1.38
008-5020	6A	1-1/4	1/4	1.25
008-5024	6A	1-1/2	3/8	1.06
008-5112	1A	3/4	3/16	1.56
008-5114	1A	7/8	3/16	1.50
008-5116	1A	1	1/4	1.38
008-5118	1A	1-1/8	1/4	1.38
008-5119	1A	1-3/16	1/4	1.25
008-5120	1A	1-1/4	1/4	1.25
008-5121	1A	1-5/16	5/16	1.19
008-5122	1A	1-3/8	5/16	1.13
008-5123	1A	1-7/16	3/8	1.13
008-5124	1A	1-1/2	3/8	1.06
008-5216	7A	1	1/4	1.38
008-5220	7A	1-1/4	1/4	1.25
008-5312	3A	3/4	3/16	1.56
008-5314	3A	7/8	3/16	1.50
008-5316	3A	1	1/4	1.38
008-5318	3A	1-1/8	1/4	1.38
008-5319	3A	1-3/16	1/4	1.25
008-5320	3A	1-1/4	1/4	1.25
008-5321	3A	1-5/16	5/16	1.19
008-5322	3A	1-3/8	5/16	1.13
008-5323	3A	1-7/16	3/8	1.13
008-5324	3A	1-1/2	3/8	1.06

OEM HUBS				
Stock No.	Hub Series	Bore Size	Std. KW	Wt. Lbs.
008-3612	36	3/4	3/16	1.56
008-3614	36	7/8	3/16	1.50
008-3616	36	1	1/4	1.38
008-3618	36	1-1/8	1/4	1.38
008-3619	36	1-3/16	1/4	1.25
008-3620	36	1-1/4	1/4	1.25
008-6016	9A	1	1/4	1.38
008-6018	9A	1-1/8	1/4	1.38
008-6019	9A	1-3/16	1/4	1.25
008-6020	9A	1-1/4	1/4	1.25
008-6024	9A	1-1/2	3/8	1.06
008-6110	2A	5/8	3/16	1.63
008-6112	2A	3/4	3/16	1.56
008-6114	2A	7/8	3/16	1.50
008-6116	2A	1	1/4	1.38
008-6117	2A	1-1/16	1/4	1.38
008-6118	2A	1-1/8	1/4	1.38
008-6119	2A	1-3/16	1/4	1.25
008-6120	2A	1-1/4	1/4	1.25
008-6121	2A	1-5/16	5/16	1.19
008-6122	2A	1-3/8	5/16	1.13
008-6123	2A	1-7/16	3/8	1.13
008-6124	2A	1-1/2	3/8	1.06
008-8016	8A	1	1/4	1.38
008-8020	8A	1-1/4	1/4	1.25
008-8023	8A	1-7/16	3/8	1.13
008-8024	8A	1-1/2	3/8	1.06

Hub series 35 fits flush on #35 chain WELDASPROCKETS®.
 Hub series 4A & 5A fit flush on #40 chain WELDASPROCKETS®.
 Hub series 1A, 3A, 6A & 7A fit flush on #50 chain WELDASPROCKETS®.
 Hub series 36, 2A & 9A fit flush on #60 chain WELDASPROCKETS®.
 Hub series 8A fits flush on #80 chain WELDASPROCKETS®.

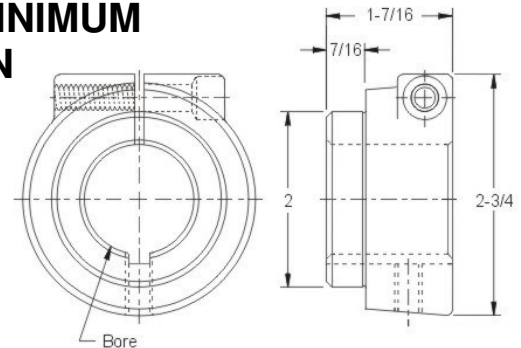
SPLIT LOCK HUBS

**FORGED STEEL 25 PIECE MINIMUM
PRICE BY QUOTATION**

Lock Hubs are used with X series WELDASPROCKETS® in applications with severe operation conditions, such as reversing or high shock load. Round bore sizes are available up to 1-1/2" with standard keyway and set screw.

SEND YOUR INQUIRIES

Manufactured in the USA by G&G Manufacturing Co.



Weldahubs®

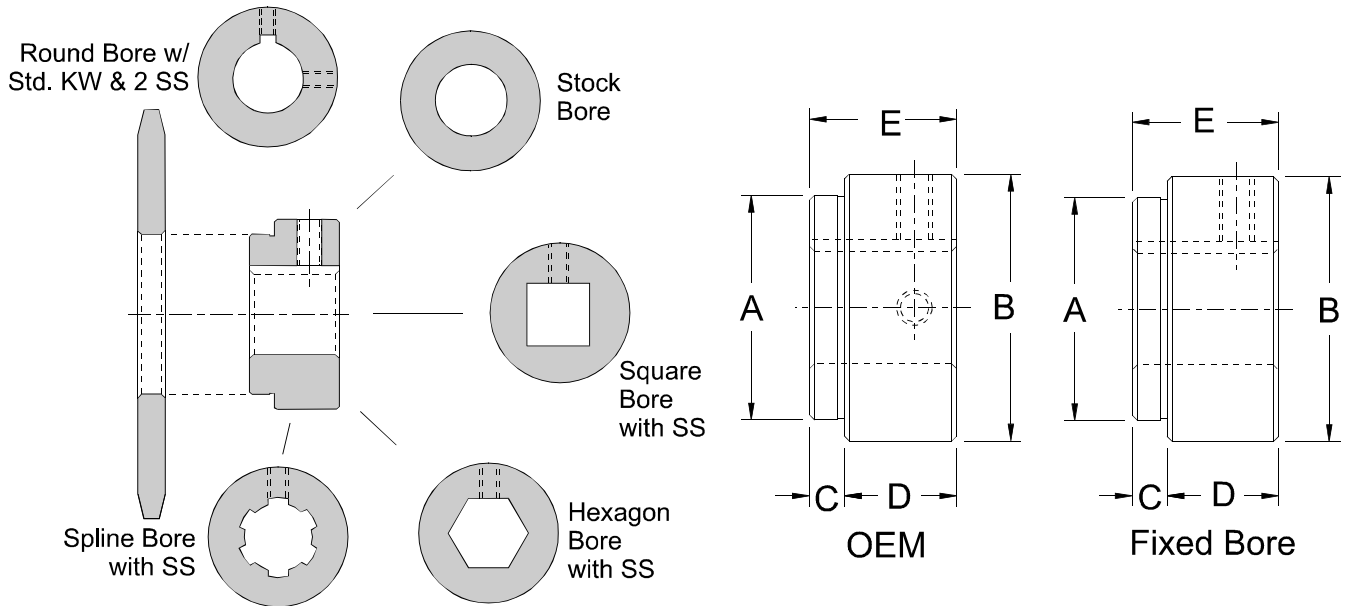


OMAHA, NEBRASKA
 (402) 453-9595
 1-800-442-6009
 FAX (402) 453-1740

HUB DIMENSIONS

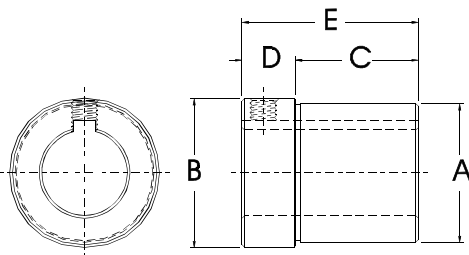
ORDER BY STOCK NUMBERS ON
 PAGE 31, 32 & 33

Weldahubs®



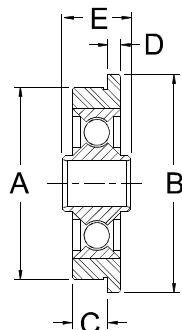
35 OEM HUB	36 OEM HUB	1A OEM HUB	2A OEM HUB	3A OEM HUB	4A OEM HUB	5A OEM HUB	6A OEM HUB	7A OEM HUB	8A OEM HUB	9A OEM HUB
A - 1-5/8	A - 1-5/8	A - 2	A - 2	A - 2	A - 2	A - 2	A - 2	A - 2	A - 2	A - 2
B - 1-3/4	B - 1-3/4	B - 2-1/4 to 2-1/2	B - 2-1/4 to 2-1/2	B - 2-1/4 to 2-1/2	B - 2-1/4 to 2-1/2	B - 2-1/4 to 2-1/2	B - 2-1/4 to 2-1/2	B - 2-1/4 to 2-1/2	B - 2-1/4 to 2-1/2	B - 2-1/4 to 2-1/2
C - 5/32	C - 7/16	C - 5/16	C - 7/16	C - 5/16	C - 1/4	C - 1/4	C - 5/16	C - 5/16	C - 9/16	C - 7/16
D - 23/32	D - 1	D - 13/16	D - 1	D - 1	D - 7/8	D - 3/4	D - 11/16	D - 15/16	D - 15/16	D - 13/16
E - 7/8	E - 1-7/16	E - 1-1/8	E - 1-7/16	E - 1-5/16	E - 1-1/8	E - 1	E - 1	E - 1-1/4	E - 1-1/2	E - 1-1/4

DOUBLE PULLY HUB
A - 1-5/8
B - 1-3/4
C - 1-7/16
D - 5/8
E - 2-1/16

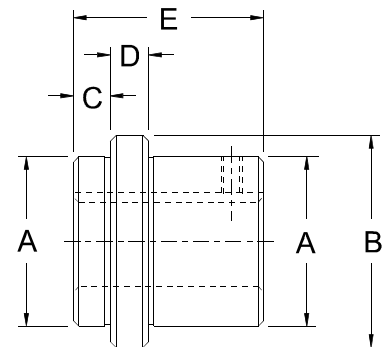


V HUB FIXED BORE	W HUB FIXED BORE	X HUB FIXED BORE	XX HUB FIXED BORE	Y HUB FIXED BORE
A - 1-1/8	A - 1-5/8	A - 2	A - 2	A - 2-3/4
B - 1-7/16	B - 1-3/4	B - 2-1/4 to 2-1/2	B - 3	B - 3-3/4
C - 7/16	C - 7/16	C - 7/16	C - 7/16	C - 11/16
D - 3/4	D - 1	D - 1	D - 1-1/16	D - 1-3/16
E - 1-3/16	E - 1-7/16	E - 1-7/16	E - 1-1/2	E - 1-7/8

W IDLER HUB	X IDLER HUB	Y IDLER HUB
A - 1-5/8	A - 2	A - 2
B - 1-3/4	B - 2-1/4 to 2-1/2	B - 3-3/4
C - 1/2	C - 1/2	C - 1/2
D - 7/64	D - 7/64	D - 7/64
E - 11/16	E - 11/16	E - 11/16



50 DOUBLE HUB	60 DOUBLE HUB
A - 2	A - 2
B - 2-1/4 to 2-1/2	B - 2-1/4 to 2-1/2
C - 5/16	C - 7/16
D - 3/8	D - 29/64
E - 1-7/8	E - 2-1/4



G&G WELDAHUBS® are machined to eliminate special fixtures. Simply clamp the WELDAHUB® to a WELDASPROCKET® or WELDAPULLEY® and weld.
SEE PAGE 30 FOR SUGGESTED WELDING INSTRUCTIONS.